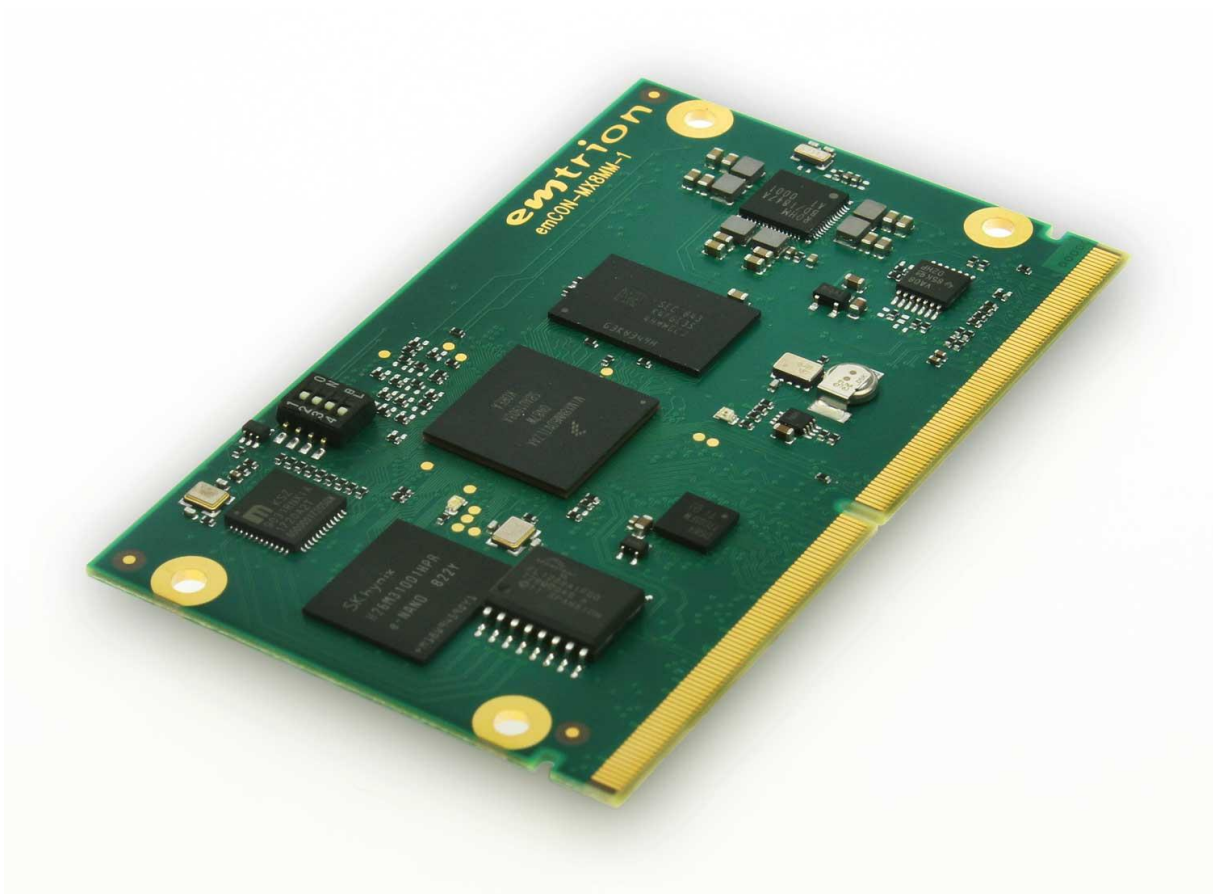


emCON-MX8MM

Hardware Manual

Rev3 / 10.12.2019



© Copyright 2019 **emtrion GmbH**

All rights reserved. This documentation may not be photocopied or recorded on any electronic media without written approval. The information contained in this documentation is subject to change without prior notice. We assume no liability for erroneous information or its consequences. Trademarks used from other companies refer exclusively to the products of those companies.

Revision: **3 / 10.12.2019**

Rev	Date/Signature	Changes
1	09.09.2019/Sch	First revision
2	18.11.2019/Sch	Added boot devices chap. 4.1.2. Corrected current consumption chap. 8.1
3	10.12.2019/Sch	Corrected chap. 6.1 and chap. 8.1.

Contents

1	Introduction.....	4
2	Block Diagram.....	5
3	Handling Precautions.....	5
4	Functional Description	6
4.1	Processor.....	6
4.1.1	Processor Clocks	7
4.1.2	Boot Mode/Boot Medium	7
4.2	NAND Flash	8
4.3	LPDDR4 SDRAM.....	8
4.4	Ethernet.....	8
4.5	USB Host.....	9
4.6	USB OTG	9
4.7	Graphic Display.....	10
4.7.1	LVDS	10
4.8	MIPI CSI-2	11
4.9	Audio - Synchronous Audio Interface (SAI).....	11
4.10	Audio - SPDIF.....	12
4.11	SD-Card Interface.....	12
4.12	Serial Ports.....	12
4.12.1	IrDA.....	12
4.13	I ² C- Bus.....	12
4.14	SPI Interface	13
4.15	PCI Express	13
4.16	General Purpose I/Os.....	13
4.17	PWM.....	14
4.18	Status LED.....	14
4.19	Interrupts	14
4.20	Reset	15
4.21	Power Supply	15
4.21.1	Signal Description	15
4.21.2	Power Consumption	16
5	emCON Interface	17
6	Pin Assignments.....	18
6.1	J1, emCON Connector	18
7	Signal Characteristics	24
7.1	J1, emCON Connector	25
8	Technical Characteristics	31
8.1	Electrical Specifications	31
8.2	Environmental Specifications.....	31
8.3	Mechanical Specifications	31
9	Dimensional Drawing	32
10	References.....	33

1 Introduction

The emCON-MX8MM processor module is based on the i.MX8MM processor from NXP. It is one of emtrion's emCON-family CPU boards. The i.MX8MM includes up to 4 ARM Cortex A53 cores as well as an additional ARM Cortex M4 core for low-power processing.

The emCON-MX8MM processor modules are available with i.MX8MM quad core, dual core or solo core (every configuration is also available in "lite"-version). Please contact emtrion GmbH for further information.

The processor cores run up to 1.8 GHz in the customer version and 1.6 GHz in the industrial version. They comprise a variety of functions which are required for multimedia or industrial applications. These include video compression standards like VP9, VP8, H.265 and H.264, a 2D/3D graphics accelerator, two LVDS interfaces, a MIPI-CSI2 camera interface and a SAI and S/PDIF audio interface.

The module is available in various sizes of NAND-Flash and RAM, as well as different amounts of ARM Cortex A53 cores. The CPU has an internal Ethernet MAC and two USB controllers, which are used as USB Host and USB Device.

All interfaces are accessible through a 315 pin MXM type III edge connector. The pin assignment is defined in emtrion's emCON standard, which ensures a pin-to-pin compatibility with all emCON CPU modules.

Features and interfaces of the emCON-MX8MM processor module are described in the following table:

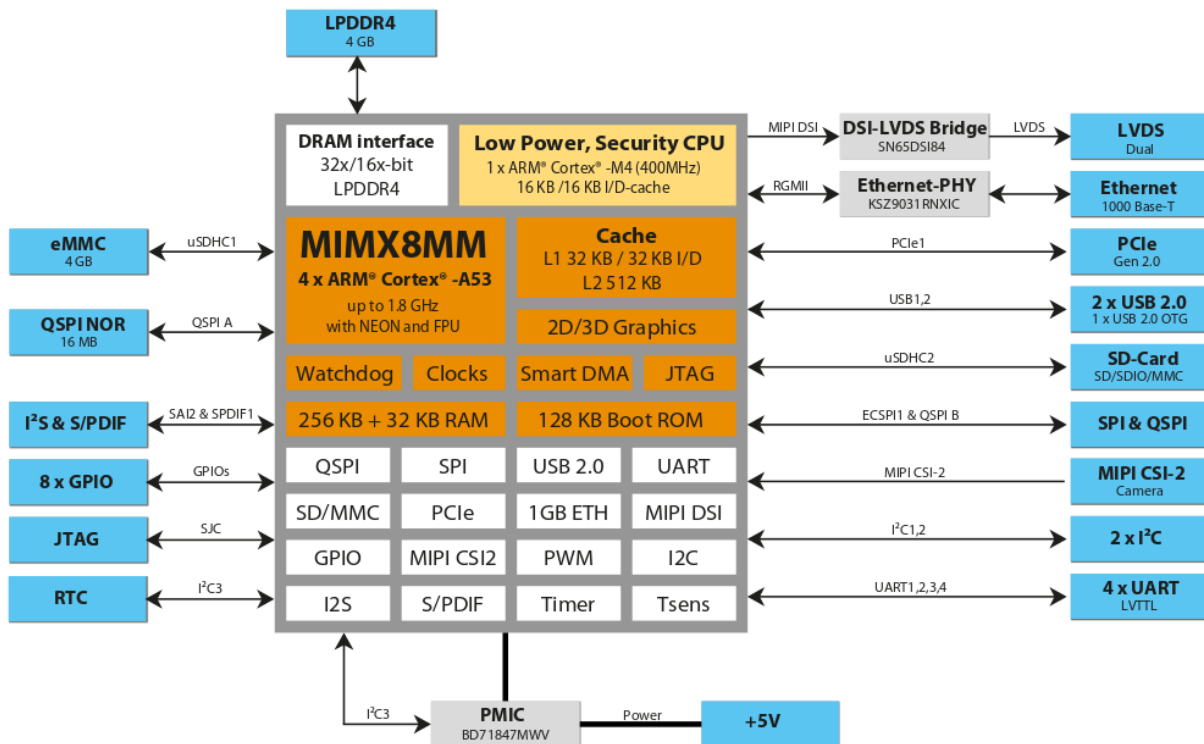
emCON-MX8MM	
2GB/4GB LPDDR4 SDRAM	
up to 32GB eMMC NAND Flash	
16MB QSPI NOR Flash	
1x 10/100/1000-Mbit Ethernet	
1x USB 2.0 Host	1x USB 2.0 Device
1x PCIe (1 lane)	
2x LVDS 24-bit max. WUXGA (1920x1200) @ 60Hz	
1x MIPI CSI-2 (4 lanes)	
1x SAI Audio	1x S/PDIF
4x UART (LVTTTL)	
1x SD Card	
1x SPI	1 x Quad SPI
2x I2C	
8x GPIO	1x PWM
RTC, battery buffered	
JTAG	

Please contact emtrion GmbH for the available processor, NAND Flash and SDRAM configurations.

The module is available in standard temperature range (0°C to 70°C) as well as extended temperature range (-40°C to 85°C).

2 Block Diagram

The following figure shows the emCON-MX8MM block diagram.



3 Handling Precautions

Please read the following notes prior to installing the processor module. They apply to all ESD (electrostatic discharge) sensitive components:

- The module does not need any configurations before installation.
- The module does not provide any on-board ESD protection circuitry – this must be provided by the product it is used in.
- Before installing the module, it is recommended that you discharge yourself by touching a grounded object.
- Be sure all tools required for installation are electrostatically discharged as well.
- Before installing (or removing) the module, unplug the power cable from the mains supply.
- Handle the board with care and try to avoid touching its components or tracks.

4 Functional Description

4.1 Processor

The emCON-MX8MM processor module uses the i.MX processor i.MX8MM from Freescale [1]. It includes up to 4 ARM Cortex A53 cores and runs up to 1.8 GHz.

In addition to the CPU core with MMU, FPU and Caches, this processor provides a variety of features, such as:

- 16/32-bit DRAM Controller (LP-DDR4, DDR4, DDR3-L)
- 8-bit NAND Flash Controller
- eMMC 5.0 Flash and SPI NOR Flash interfaces
- Ethernet MAC 10/100/1000-Mbit with IEEE1588 support
- 2 x USB 2.0 OTG controller with high-speed mode
- 3 x Ultra Secure Digital Host Controller (uSDHC) interfaces
- 1 x PCI Express (Single Lane)
- Two Image Processing Units, which include:
 - Video input module with camera capturing module
 - LCDIF Display Controller (Support up to 1080p60 display through MIPI DSI)
 - 2D and 3D graphic hardware accelerator
 - NEON SIMD media accelerator
- 4 UARTs with 2x 32-byte FIFO
- I2C bus interfaces
- SPI interfaces
- IrDA interfaces
- Watchdog timer
- Real time clock
- 5 x SAI Sound modules (Supporting I2S, AC97, TDM, codec/DSP and DSD interfaces)
- S/PDIF Sound interface (Input and Output)
- Interrupt controller
- 32-bit General Purpose Timer
- JTAG debug interface

Further details of the processor can be found in the i.MX8MM Reference Manual [1].

4.1.1 Processor Clocks

The 24 MHz main clock is generated by a quartz crystal. The internal PLLs multiply the 24 MHz main clock to the internal clocks. All clocks within the processor are derived from these frequencies, via various software configurable dividers.

The core clock can run up to 1,8 GHz. For power management, the core clock can be varied.

It must be considered that the core voltage should be adapted if the core frequency is varied.

More information about the i.MX8MM clock system is described in the CCM chapter of the i.MX8MM Reference Manual [1].

The RTC_XTALI clock input of the CPU is supplied by a 32,768 kHz clock, generated by the PMIC and used for the internal low speed clocks. The PMIC generates the clock signal by an external 32,768 kHz quartz crystal.

An additional I²C RTC Chip is used to generate a battery-backed-up Real-Time Clock.

4.1.2 Boot Mode/Boot Medium

The emCON-MX8MM Uboot can be booted either from the onboard eMMC, the NOR Flash, the SD-Card interface or external via the USB Device interface. To switch between the options, the right boot mode and boot device has to be configured via some Dip Switches.

The boot mode is configured via two processor pins which are available at the emCON connector. A dip switch on the carrier board is used to configure the boot mode.

emCON Avari Baseboard (SW1):

SW1	SW2	SW3	SW[4:8]	Boot Mode	Configuration
ON	ON	X	X	Boot from Fuses	-
OFF	ON	X	X	Serial Downloader	USB
ON	OFF	X	X	Internal Boot	eMMC/SDC/NAND/NOR
OFF	OFF	X	X	Reserved	-

emCON Bvari Baseboard (SW4):

SW1	SW2	SW3	SW4	Boot Mode	Configuration
ON	ON	X	X	Boot from Fuses	-
OFF	ON	X	X	Serial Downloader	USB
ON	OFF	X	X	Internal Boot	eMMC/SDC/NAND/NOR
OFF	OFF	X	X	Reserved	-

The Boot medium is configured via a dip switch on the emCON MX8MM module.

emCON MX8MM CPU Module (SW1):

SW1	SW2	SW3	SW4	Configuration
OFF	OFF	ON	OFF	eMMC
OFF	ON	OFF	OFF	SDC
ON	OFF	OFF	OFF	QSPI

Configurations for other boot devices will be coming soon.

4.2 NAND Flash

To store the operating system and application data, an eMMC-NAND Flash is provided on the emCON-MX8MM module. It is connected to the uSDHC1 controller of the i.MX8MM.

You can choose a NAND Flash size between 4GB and 32GB, depending on your requirements.

Please contact emtrion GmbH for your required NAND Flash size.

The onboard NAND Flash controller can be reset by a logical "0" on the GPIO1_IO03 Pin.

4.3 LPDDR4 SDRAM

LPDDR4 SDRAM is available as main memory. The RAM memory has a 32-bit width interface, a density of 4GB and can be clocked up to 1865 MHz (3733 Mb/s).

Please contact emtrion GmbH for your required RAM size.

4.4 Ethernet

The Ethernet interface is realized with the processor internal Media Access Controller (MAC) and an external Physical Layer Interface (PHY) KSZ9031RNX from Micrel. The RGMII interface is used for communication between the MAC and the PHY.

The Ethernet interface supports the operating modes 10, 100 and 1000BASE-TX, all half- and full duplex. HP Auto-MDIX is also supported.

The registers of the Ethernet PHY can be configured via the Media Independent Interface (MII).

The Ethernet signal lines (GBE1_MDIO[0:3]_P, GBE1_MDIO[0:3]_N) as well as two status signals, indicating the link status and the transfer speed, are connected to the emCON connector. An appropriate 1:1 transformer with a 100nF capacitor to GND at each center tap pin must be added externally. The center tap pin shall not be supplied with 3.3V!

The emCON pins GBE1_LED_10_100# and GBE1_LED_1000# are both connected to the LED2 pin of the Ethernet PHY and indicate if a link is established. ("0" = link). Therefore, the link speed has to be determined by the software.

The emCON pin GBE1_LED_TRAFFIC# is connected to the LED1 pin of the Ethernet PHY, it indicates that data is being transferred (“blinking” = traffic).

The RGMII 125MHz Ethernet clock is generated by the PLL of the Ethernet PHY and routed to the processor’s internal MAC.

The Ethernet Phy can be reset by a logical “0” on the GPIO1_IO09 Pin.

4.5 USB Host

A USB Host interface is used to connect USB devices such as a keyboard, mouse, printer or memory stick.

The USB host interface is realized by the internal host controller of the i.MX8MM. It complies with the USB specification Rev. 2.0, supporting data transfers at low-speed (1,5Mbps), full-speed (12 Mbps) and high-speed (480Mbps).

To switch the bus power, the control line USBH_PEN# is connected to the emCON connector. A logical “0” at the processor’s pin GPIO1_IO14 switches the power on; a logical “1” turns the power off. The signal USBH_OC# reports an overcurrent at the GPIO1_IO15 (“0” = overcurrent).

The data lines and the two control lines are available at the emCON connector. A USB power switch must be added externally. The data lines are internally terminated by 15-K Ω pulldown resistors.

The USBH_VBUS signal on the emCON connector is only an input to detect the VBUS voltage on the baseboard.

4.6 USB OTG

The USB OTG port can operate in Host or Device mode. The signal USBOTG_ID is used to determine the mode of the connected device.

The interface is realized by the internal device controller of the i.MX8MM. The interface is USB 2.0 compliant, supporting data transfers at low-speed (1,5Mbps), full-speed (12 Mbps) and high-speed (480Mbps).

To switch the bus power in USB Host mode the control line USBOTG_PEN# is connected to the emCON connector. A logical “0” at the processor GPIO1_IO12 switches the power on; a logical “1” turns the power off. The signal USBH_OC# reports an overcurrent at the GPIO1_IO13 (“0” = overcurrent).

The USBOTG_VBUS signal on the emCON connector is only an input to detect the VBUS voltage on the baseboard.

4.7 Graphic Display

The i.MX8MM includes two Graphic Processing Units (GPU) for 2D and 3D acceleration and a Video Processing Unit (VPU) for Video decoding (H.265, VP9, H.264, VP8). More information about the Multimedia system is described in the Multimedia, GPU and VPU chapter of the i.MX8MM Reference Manual [1].

The enhanced Liquid Crystal Display Interface (eLCDIF) on the processor is a general-purpose display controller which supports a wide range of display devices.

4.7.1 LVDS

The LCD controller of the i.MX8MM supports a 4-lane MIPI DSI port which drives a MIPI DSI to LVDS Bridge (SN65DSI84 from Texas Instruments) on the CPU module, in order to generate two Single-Link or one Dual-Link LVDS Interface with four data lanes per link.

The pixel clock is limited to 154 MHz in Single and Dual-Link mode. This results in a maximum resolution of WUXGA (1920 x 1200 @ 60 Hz).

The SN65DSI84 from Texas Instruments can communicate via the internal I2C3 Interface. The interrupt output of the device is connected to the GPIO3_IO22 Pin of the processor.

To enable the MIPI DSI to LVDS Bridge, set a logical "1" on the GPIO3_IO24 (pay attention to the timing specifications of the device in the SN65DSI84 Datasheet [2] Chapter 7.4.1). A logical "0" disables the device.

The following table describes the signals of the LVDS port 1:

Signal	Description
LVDS1_CLK_P/N	Differential LVDS clock
LVDS1_D[3:0]_P/N	Four differential LVDS data signal pairs
LVDS1_PANEL_EN	Display power enable signal, GPIO3_IO25
LVDS1_BL_EN	Backlight power enable signal, GPIO3_IO23
LVDS1_BL_CTRL	PWM signal to control the backlight, GPIO1_IO01

The following table describes the signals of the LVDS port 2:

Signal	Description
LVDS2_CLK_P/N	Differential LVDS clock
LVDS2_D[3:0]_P/N	Four differential LVDS data signal pairs

The colour mapping can be different, depending of the used display. The LVDS Output formats can be adjusted in the MIPI DSI to LVDS Bridge registers. Use the SN65DSI84 Datasheet [2] to setup a specific LVDS format.

The following table shows the colour mapping of a few example output formats:

Single-Link 18-bit	Slot0	Slot1	Slot2	Slot3	Slot4	Slot5	Slot6
LVDS_D0	G0	R5	R4	R3	R2	R1	R0
LVDS_D1	B1	B0	G5	G4	G3	G2	G1
LVDS_D2	DE	VS	HS	B5	B4	B3	B2
LVDS_D3	CTL	B7	B6	G7	G6	R7	R6

Single-Link 24-bit	Slot0	Slot1	Slot2	Slot3	Slot4	Slot5	Slot6
LVDS_D0	G2	R7	R6	R5	R4	R3	R2
LVDS_D1	B3	B2	G7	G6	G5	G4	G3
LVDS_D2	DE	VS	HS	B7	B6	B5	B4
LVDS_D3	CTL	B1	B0	G1	G0	R1	R0

Dual-Link 24-bit	Slot0	Slot1	Slot2	Slot3	Slot4	Slot5	Slot6
LVDS1_D0 (odd)	G0	R5	R4	R3	R2	R1	R0
LVDS1_D1 (odd)	B1	B0	G5	G4	G3	G2	G1
LVDS1_D2 (odd)	DE	VS	HS	B5	B4	B3	B2
LVDS1_D3 (odd)	CTL	B7	B6	G7	G6	R7	R6
LVDS2_D0 (even)	G0	R5	R4	R3	R2	R1	R0
LVDS2_D1 (even)	B1	B0	G5	G4	G3	G2	G1
LVDS2_D2 (even)	DE	VS	HS	B5	B4	B3	B2
LVDS2_D3 (even)	CTL	B7	B6	G7	G6	R7	R6

4.8 MIPI CSI-2

The MIPI CSI-2 interface is a serial interface with differential data pairs, it transports camera data with a high bandwidth. The i.MX8MM comes with 4 data lanes which support up to 1000 Mbps per lane and one clock pair.

The following table describes the MIPI CSI-2 signals available at the emCON interface.

Signal	Description
MIPI_CSI-2_D[3:0]_P/N	Four differential data signal pairs
MIPI_CSI-2_CLK_P/N	Differential clock

4.9 Audio - Synchronous Audio Interface (SAI)

The integrated I2S module of the i.MX8MM provides a SAI interface that can be used to send and receive audio data from external audio codecs.

It supports full duplex serial interfaces with frame synchronisation and allows audio processing in different audio formats such as I2S, AC97, TDM and codec/DSP.

The interface is connected to the emCON connector, which allows the selection of an external audio codec.

4.10 Audio - SPDIF

The emCON-MX8MM also supports audio data in SPDIF format. The SPDIF_OUT signal at the emCON connector has LVTTTL level and will need to be configured externally, according to SPDIF specification.

4.11 SD-Card Interface

The i.MX8MM includes three SD Card interfaces to drive memory- or I/O cards. One of them (uSDHC2) is used for the 4-bit SD Card interface of the emCON connector. uSDHC2 is used for the interface SDC1. The SDC2 interface on the emCON connector is not connected.

The card detect and write protect signals can be controlled either by the SD card controller or by the GPIO ports of the i.MX8MM:

Signal	Description	GPIO	emCON SDC port
SDC2_CD#	Low-active card detection signal	GPIO2_IO12	SDC1_CD#
SDC2_WP	high-active write protection signal	GPIO2_IO20	SDC1_WP

4.12 Serial Ports

The emCON-MX8MM has four serial ports. All serial ports are integrated in the processor i.MX8MM and available as LVTTTL level. External transceivers are necessary to use interfaces like RS232 or RS485.

An overview of the UART interfaces is shown in the following table:

i.MX8MM interface	emCON name	Handshake Signals
UART1	UART_A	-
UART2	UART_B	RTS, CTS
UART3	UART_C	-
UART4	UART_D	-

UART1 is used as a standard debug and communication interface (TERMINAL).

4.12.1 IrDA

Each processor UART port can also be used as a low speed (115200bps) Infrared port (IrDA). The UART RXD input signal is also the IrDA RXD input signal. The UART TXD output signal is the IrDA TXD output signal.

4.13 I²C- Bus

There are three I²C bus interfaces available on the emCON-MX8MM module.

The I²C interface (I2C3) is only routed on the emCON-MX8MM module and all onboard I²C devices on the module are connected to that interface. The interface works with a transmission speed of up to 400 kb/s. The interface operates as a master.

Three devices are connected to the I2C3 bus on emCON-MX8MM:

Slave	Device	Chip Address (7-bit)
Real Time Clock	RV-1805-C3	0x69
PMIC	BD71847MWV	0x4B
MIPI to LVDS Bridge	SN65DSI84	0x2D

The other I²C interfaces (I2C1, I2C2) are routed to the emCON connector and can be used exclusively for baseboard functions. The maximum I²C speed is 400kb/s. The external I²C interfaces can be used either in Master mode (default) or in Slave mode. In Slave mode, the I²C address can be defined in the i.MX8MM register.

The bus connects to the emCON connector. The SCL and SDA lines are pulled up with 2,2kΩ resistors to 3,3V.

4.14 SPI Interface

The SPI interface ECSP1 of the i.MX8MM processor is connected to the SPI2 interface of the emCON connector. The second slave select signal SPI2_CS1# on the SPI2 interface is connected to the GPIO5_IO13.

The SPI1 interface of the emCON connector is connected to the QSPI_B interface of the i.MX8MM.

4.15 PCI Express

The i.MX8MM processor includes the following PCI Express cores:

- PCI Express Dual Mode (DM) core
- PCI Express Root Complex (RC) core
- PCI Express Endpoint (EP) core

One PCI Express lane is supported. The required AC coupling (220nF) at the TX pair is done on the emCON-MX8MM module. More details of the PCI Express controller can be found in the i.MX8MM Reference Manual [1].

4.16 General Purpose I/Os

The emCON interface supports eight dedicated GPIOs which are directly connected to the CPU.

emCON Signal	i.MX8MM Port	Direction	Features
GPIO_1	GPIO4_IO10	In/Out	
GPIO_2	GPIO5_IO02	In/Out	PWM capable
GPIO_3	GPIO3_IO16	In/Out	
GPIO_4	GPIO3_IO17	In/Out	
GPIO_5	GPIO3_IO04	In/Out	Timer Compare
GPIO_6	GPIO3_IO15	In/Out	Timer Compare
GPIO_7	GPIO3_IO02	In/Out	Timer Capture
GPIO_8	GPIO3_IO18	In/Out	Timer Capture

The signal level of each GPIO pin is 3,3V.

4.17 PWM

The i.MX8MM includes four PWM modules. Three of them are available on the emCON connector:

emCON Signal	PWM Channel	Remark
LVDS1_BL_CTRL	PWM1	Backlight dimming
GPIO_2	PWM4	For general purpose
PWM_FAN	PWM2	Fan control

The signal level of each PWM pin is 3,3V.

4.18 Status LED

Two LEDs are connected to the port pins of the i.MX8MM. A green LED is connected to GPIO5_IO04 and a red LED to GPIO5_IO10. A logical "1" on the respective output turns the LEDs on.

4.19 Interrupts

The processor i.MX8MM has an integrated interrupt controller that analyses all interrupt sources, prioritizes them and outputs the interrupt with highest priority to the processor.

Generally, each GPIO input can be configured as an interrupt input. On the emCON-MX8MM, some GPIOs are defined as interrupts. The interrupt sources are shown in the following table:

Signal	Source	i.MX8MM GPIO Port	polarity
IRQ_1	emCON connector	GPIO4-IO11	configurable
IRQ_2	emCON connector	GPIO3-IO21	configurable
IRQ_3	emCON connector	GPIO1-IO05	configurable
IRQ_TOUCH1#	emCON connector	GPIO4-IO01	configurable
IRQ_TOUCH2#	emCON connector	GPIO4-IO00	configurable
IRQ_LVDS	MIPI to LVDS Bridge (SN65DSI84)	GPIO3-IO22	high active
PMIC_IRQ#	PMIC (BD71847MWV)	GPIO3-IO02	low active
POWERFAIL#	emCON connector	GPIO3-IO18	low active

IRQ_1, IRQ_2 and IRQ_3 are general purpose interrupts from the emCON connector. The signal level of each interrupt is 3,3V.

IRQ_TOUCH1# and IRQ_TOUCH2# are interrupts from the emCON connector reserved for external touch controllers. The signal level of each interrupt is 3,3V.

The LVDS interrupt can be asserted by the onboard MIPI to LVDS Bridge chip.

The PMIC interrupt can be asserted by the onboard Power Management chip.

The Powerfail interrupt is immediately asserted if the RESI# emCON pin is set to low. With this interrupt the SW can shut down itself until a hard reset is asserted 1s later.

4.20 Reset

There are several ways for issuing a reset signal:

- A voltage monitor checks the board voltages. If one voltage is out of tolerance, a module reset is asserted.
- The active low signal RESI# and the signal JTAG_RESI# at the emCON connector can assert a reset.
- A processor internal SW reset is available at a processor pin. In this case the RESO# pin is asserted if a SW reset is asserted.

All resets are hardware resets of the whole board. All resets except the internal SW reset issue a processor cold reset. The internal SW reset issues a processor warm reset.

The duration of the reset signal is min.120ms. For resetting external devices, the reset signal is available as an output (RESO#) at the emCON connector.

4.21 Power Supply

The typical power consumption is depending on the running software tasks and the external devices which must be supplied via the emCON connector.

The onboard required voltages for the processor and the other parts are generated on board via a Power Management (PMIC) chip.

The voltages generated by the PMIC can be configured via the I²C interface. During operation, the voltages can be varied depending on core frequencies and temperature.

4.21.1 Signal Description

VCC_STANDBY & VCC_5V:

The 5v power supply is divided into two voltage areas. VCC_Stby is used to power up and keep the PMIC, as well as the most important voltages of the CPU, alive during power down states. +5V0DC is the main supply and used to supply the board in the running state.

If power management is used, the +5V0DC can be disabled in deep power down states. The disabling can be done for example with a mosfet circuit at the baseboard. To control the mosfet, the signal SUSPEND# is available at the emCON interface. Example schematics are also available. VCC_Stby has to be kept on all the time.

If no power management is needed, VCC_STANDBY and +5V0DC can be both connected to 5V directly.

POWER_ON_BASE:

During some power down states, the 3.3V areas of the CPU module will be switched off. In this case all the peripheral chips which are connected to 3.3V referenced signals have to be switched off, too. Otherwise the CPU will be back-powered via the I/O pins.

The signal POWER_ON_BASE can be used to control a DC/DC converter or a mosfet to switch the 3.3V on the baseboard on and off. Example schematics are available.

POWERFAIL#

The signal POWERFAIL# is an input to signalize a power fail condition. A low will trigger an interrupt, e.g. to save data.

ON_OFF# & WAKEUP:

The signals ON-OFF# and Wakeup are used to control the PMIC so it gets up from power down states.

BAT:

The emCON BAT pin is the battery input pin for the RTC power supply. The typical power consumption of the RTC via the BAT pin is < 1µA.

4.21.2 Power Consumption

A benchmark document [3] from NXP provides measurements and detailed information about the power consumption of the i.MX8MM processor itself.

5 emCON Interface

All interface signals of the board are available at the emCON connector.

The emCON interface is a 314 pos. MXM connector. These sockets are available from various manufacturers.

The pin assignment is emtrion specific and matches most interface requirements in actual embedded designs. Depending on the CPU features, every emtrion CPU module uses different set of pins on the emCON connector. More details can be found in emtrion's emCON specification.

Usage details of the connector and its electrical and mechanical characteristics can be found further down in this document.

Notes:

The pin assignment of the emCON connector is ONLY compatible with devices of emtrion's emCON-family. Insertion into a socket with another pin assignment may damage the emCON-MX8MM module and the carrier board.

Most of the pins are directly connected to the processor i.MX8MM.

6 Pin Assignments

6.1 J1, emCON Connector

Type MXM, 314 pos.

Possible carrierboard connector: Aces 91782-3140M-001

Notes:

The pin assignment of the emCON connector is ONLY compatible with devices of emtrion's emCON-family. Insertion into a socket with another pin assignment may damage the emCON-MX8MM module and the carrier board.

Most of the pins are directly connected to the processor i.MX8MM.

Pin	Signal	Interface		Signal	Pin		
1E20	GND	Power Supply		VCC_5V	2E20		
1E19	GND			VCC_5V	2E19		
1E18	GND			VCC_5V	2E18		
1E17	GND			VCC_5V	2E17		
1E16	GND			VCC_5V	2E16		
1E15	GND			VCC_5V	2E15		
1E14	GND			VCC_5V	2E14		
1E13	GND			VCC_5V	2E13		
1E12	GND			VCC_5V	2E12		
1E11	GND			VCC_5V	2E11		
1E10	BAT			Manufacturing		VCC_STANDBY	2E10
1E9	n/c	MISC				n/c	2E9
1E8	BOOT_MODE_2					POWER_ON_BASE	2E8
1E7	BOOT_MODE_1					IRQ_TOUCH1#	2E7
1E6	JTAG_RESET#					IRQ_TOUCH2#	2E6
1E5	JTAG_MOD					IRQ_1	2E5
1E4	JTAG_TRST#					IRQ_2	2E4
1E3	JTAG_TMS					IRQ_3	2E3
1E2	JTAG_TDO					RESO#	2E2
1E1	JTAG_TDI					RESI#	40

1	JTAG_RTCK			POWERFAIL#	2
3	JTAG_VCC			SUSPEND#	4
5	JTAG_TCK			ON_OFF#	6
7	GND	POWER		WAKEUP#	8
9	UART-A_RXD	UART-A	POWER	PWM_FAN	10
11	UART-A_TXD				GND
13	UART-A_RTS*		UART-C		UART-C_RXD
15	UART-A_CTS*			UART-C_TXD	16
17	UART-B_RXD	UART-B	UART-D	UART-D_RXD	18
19	UART-B_TXD				UART-D_TXD
21	UART-B_RTS				n/c
23	UART-B_CTS			n/c	24
25	GND	POWER		GND	26
27	GPIO_1	GPIOs	PCI Express	PCIE_DISABLE#	28
29	GPIO_2			PCIE_RESET#	30
31	GPIO_3			PCIE_CLK1_P	32
33	GPIO_4			PCIE_CLK1_N	34
35	GPIO_5			GND	36
37	GPIO_6			PCIE_RX1_P	38
39	GPIO_7			PCIE_RX1_N	40
41	GPIO_8			PCIE_TX1_P	42
43	GND	POWER		PCIE_TX1_N	44
45	n/c			GND	46
47	n/c			n/c	48
49	n/c			n/c	50
51	n/c			n/c	52
53	n/c			n/c	54
55	n/c			GND	56
57	n/c			n/c	58
59	n/c			n/c	60
61	n/c		PCI Express	GND	62

63	n/c		n/c	64	
65	n/c		n/c	66	
67	n/c		n/c	68	
69	GND		n/c	70	
71	n/c		GND	72	
73	n/c		n/c	74	
75	n/c		n/c	76	
77	n/c		n/c	78	
79	n/c		n/c	80	
81	n/c		POWER	GND	82
83	n/c			n/c	84
85	n/c			n/c	86
87	n/c			n/c	88
89	n/c			n/c	90
91	n/c			n/c	92
93	n/c			n/c	94
95	n/c			n/c	96
97	n/c			n/c	98
99	n/c			n/c	100
101	n/c			n/c	102
103	n/c			n/c	104
105	n/c			n/c	106
107	n/c			n/c	108
109	n/c			n/c	110
111	n/c			n/c	112
113	GND	POWER	POWER	GND	114
115	SPI1_SCK	SPI 1	SPI 2	SPI2_CS1#	116
117	SPI1_CS0#			SPI2_CS0#	118
119	SPI1_MOSI/D0			SPI2_MOSI	120
121	SPI1_MISO/D1			SPI2_MISO	122
123	SPI1_CS1#/D2			SPI2_SCK	124
125	SPI1_D3				

The pins 126 - 132 are used for mechanical coding and not available as electrical pins.

133	n/c			MIPI_CSI-2_D0_P	134
135	n/c			MIPI_CSI-2_D0_N	136
137	n/c			MIPI_CSI-2_D1_P	138
139	n/c			MIPI_CSI-2_D1_N	140
141	n/c			MIPI_CSI-2_D2_P	142
143	n/c			MIPI_CSI-2_D2_N	144
145	n/c			MIPI_CSI-2_D3_P	146
147	n/c			MIPI_CSI-2_D3_N	148
149	n/c			MIPI_CSI-2_CLK_P	150
151	n/c			MIPI_CSI-2_CLK_N	152
153	n/c		POWER	GND	154
155	GND	POWER	I2C1	I2C1_SCL	156
157	LVDS1_BL_CTRL	LVDS1 Control		I2C1_SDA	158
159	LVDS1_BL_EN		I2C2	I2C2_SCL	160
161	LVDS1_PANEL_EN	I2C2_SDA		162	
163	GND	POWER	LVDS2	LVDS2_D0_P	164
165	LVDS1_D0_P	LVDS1		LVDS2_D0_N	166
167	LVDS1_D0_N			LVDS2_D1_P	168
169	LVDS1_D1_P			LVDS2_D1_N	170
171	LVDS1_D1_N			LVDS2_D2_P	172
173	LVDS1_D2_P			LVDS2_D2_N	174
175	LVDS1_D2_N			LVDS2_D3_P	176
177	LVDS1_D3_P			LVDS2_D3_N	178
179	LVDS1_D3_N			LVDS2_CLK_P	180
181	LVDS1_CLK_P			LVDS2_CLK_N	182
183	LVDS1_CLK_N		POWER	GND	184
185	GND	POWER	I2S Audio	n/c	186
187	SPDIF_IN	SPDIF		n/c	188
189	SPDIF_OUT			n/c	190
191	I2S_RXD	I2S Audio		n/c	192
193	I2S_TXD			n/c	194
195	I2S_TXFS			n/c	196
197	I2S_TXC			n/c	198

199	I2S_RXFS **		n/c	200	
201	I2S_RXC **		POWER	202	
203	I2C_MCLK		n/c	204	
205	n/c		n/c	206	
207	n/c		n/c	208	
209	n/c		n/c	210	
211	n/c		GND	212	
213	GND	POWER	POWER	214	
215	USBOTG_ID	USB OTG	USB Host	USBH_D_P	216
217	USBOTG_D_P			USBH_D_N	218
219	USBOTG_D_N			USBH_VBUS	220
221	USBOTG_VBUS			USBH_OC#	222
223	USBOTG_OC#			USBH_PEN#	224
225	USBOTG_PEN#				n/c
227	n/c		n/c	228	
229	n/c		POWER	230	
231	GND	POWER		n/c	232
233	n/c			n/c	234
235	n/c		POWER	GND	236
237	GND	POWER		n/c	238
239	SDC1_CLK	SD Card 1		n/c	240
241	SDC1_CMD			n/c	242
243	SDC1_D0			n/c	244
245	SDC1_D1			n/c	246
247	SDC1_D2			n/c	248
249	SDC1_D3			n/c	250
251	SDC1_CD#			n/c	252
253	SDC1_WP			POWER	GND
255	GND	POWER		n/c	256
257	GBE1_MDI0_P	GB Ethernet		n/c	258
259	GBE1_MDI0_N			n/c	260
261	GBE1_MDI1_P			n/c	262
263	GBE1_MDI1_N			n/c	264

265	GBE1_MDI2_P	GB Ethernet 1		n/c	266
267	GBE1_MDI2_N			n/c	268
269	GBE1_MDI3_P			n/c	270
271	GBE1_MDI3_N		POWER	GND	272
273	GND	POWER		n/c	274
275	GBE_1_LED_10_100#	GB Ethernet 1 Control		n/c	276
277	GBE_1_LED_1000#***			n/c	278
279	GBE_1_TRAFFIC#			n/c	280
281	GBE_1_VCC				

* UART-A_RTS is shorted with UART-A_CTS.

** I2S_RXFS is shorted with I2S_TXFS and I2S_RXC is shorted with I2S_TXC.

*** GBE_1_LED_1000# is shorted with GBE_1_LED_10_100#.

7 Signal Characteristics

Abbreviations:

I input

O output

I/O bidirectional

O(OD) digital open drain output

IPU Input with processor internal pullup resistor

IPD Input with processor internal pulldown resistor

HZ High-Z

IHZ Input High-Z

OHZ Output High-Z

7.1 J1, emCON Connector

Name	Pin	GPIO	Direction	Reset cond.	Volt	Description
Gigabit Ethernet 1						
GBE1_MDIO_P	-	-	I/O	-	-	Diff. data pair 0 pos.
GBE1_MDIO_N	-	-	I/O	-	-	Diff. data pair 0 neg.
GBE1_MDI1_P	-	-	I/O	-	-	Diff. data pair 1 pos.
GBE1_MDI1_N	-	-	I/O	-	-	Diff. data pair 1 neg.
GBE1_MDI2_P	-	-	I/O	-	-	Diff. data pair 2 pos.
GBE1_MDI2_N	-	-	I/O	-	-	Diff. data pair 2 neg.
GBE1_MDI3_P	-	-	I/O	-	-	Diff. data pair 3 pos.
GBE1_MDI3_N	-	-	I/O	-	-	Diff. data pair 3 neg.
GBE1_LED_1000#	-	-	O	-	3,3V	speed indicator (GBE1_LED_1000# and GBE1_LED_10_100# are shorted)
GBE1_LED_10_100#	-	-	O	-	3,3V	speed indicator (GBE1_LED_1000# and GBE1_LED_10_100# are shorted)
GBE1_LED_TRAFFIC#	-	-	O	-	3,3V	traffic indicator
USB Host						
USBH_PEN#	AC9	GPIO1-IO14	O	IPD	3,3V	USB power enable signal for power switch
USBH_OC#	AB9	GPIO1-IO15	I	IPD	3,3V	USB overcurrent signal from power switch
USBH_VBUS	F23	USB2_VBUS	I	-	5V	VBUS detection
USBH_DP	B23	USB2_DP	I/O	I	3,0V	Diff. data positive
USBH_DM	A23	USB2_DN	I/O	I	3,0V	Diff. data negative
USB OTG						
USBOTG_ID	D22	USB1_ID	I	I	3.3V	USB ID signal for OTG functionality
USBOTG_PEN#	AB10	GPIO1_IO12	O	IPD	3.3V	USB power enable signal for power switch
USBOTG_OC#	AD9	GPIO1_IO13	I	IPD	3.3V	USB overcurrent signal from power switch
USBOTG_VBUS	F22	USB1_VBUS	I	-	5V	VBUS detection
USBOTG_DP	B22	USB1_DP	I/O	I	3,0V	Diff. data positive
USBOTG_DM	A22	USB1_DN	I/O	I	3,0V	Diff. data negative

PCI Express						
PCIE_RXP	B19	PCIE_RXN_P	I	IHZ	1,8V	P signal of diff. PCIe receive data
PCIE_RXM	A19	PCIE_RXN_N	I	IHZ	1,8V	N signal of diff. PCIe receive data
PCIE_TXP	B20	PCIE_TXN_P	O	OHZ	1,8V	P signal of diff. PCIe transmit data
PCIE_TXM	A20	PCIE_TXN_N	O	OHZ	1,8V	N signal of diff. PCIe transmit data
CLK1_P	B21	PCIE_CLK_P	O	HZ	1,8V	P signal of diff. PCIe clock
CLK1_N	A21	PCIE_CLK_N	O	HZ	1,8V	N signal of diff. PCIe clock
PCIE_RESET#	AC15	GPIO3_IO20	O	IPD	3,3V	Reset output for PCIe
PCIE_DISABLE#	AB15	GPIO3_IO19	O	IPD	3,3V	Disable output for PCIe
UART						
UART-A_TXD	F13	GPIO5_IO23	O	IPD	3,3V	UART1: transmit data
UART-A_RXD	E14	GPIO5_IO22	I	IPD	3,3V	UART1: receive data
UART-B_TXD	E15	GPIO5_IO25	O	IPD	3,3V	UART2: transmit data
UART-B_RXD	F15	GPIO5_IO24	I	IPD	3,3V	UART2: receive data
UART-B_RTS	AF7	GPIO4_IO30	O	IPD	3,3V	UART2: modem control
UART-B_CTS	AG7	GPIO4_IO29	I	IPD	3,3V	UART2: modem control
UART-C_TXD	D18	GPIO5_IO27	O	IPD	3,3V	UART3: transmit data
UART-C_RXD	E18	GPIO5_IO26	I	IPD	3,3V	UART3: receive data
UART-D_TXD	F18	GPIO5_IO29	O	IPD	3,3V	UART4: transmit data
UART-D_RXD	F19	GPIO5_IO28	I	IPD	3,3V	UART4: receive data
LVDS 1						
LVDS1_CLK_P	-	-	O	-	1,8V	P signal of diff. LVDS clock
LVDS1_CLK_N	-	-	O	-	1,8V	N signal of diff. LVDS clock
LVDS1_TX0_P	-	-	O	-	1,8V	P signal of diff. LVDS data
LVDS1_TX0_N	-	-	O	-	1,8V	N signal of diff. LVDS data
LVDS1_TX1_P	-	-	O	-	1,8V	P signal of diff. LVDS data
LVDS1_TX1_N	-	-	O	-	1,8V	N signal of diff. LVDS data
LVDS1_TX2_P	-	-	O	-	1,8V	P signal of diff. LVDS data
LVDS1_TX2_N	-	-	O	-	1,8V	N signal of diff. LVDS data
LVDS1_TX3_P	-	-	O	-	1,8V	P signal of diff. LVDS data
LVDS1_TX3_N	-	-	O	-	1,8V	N signal of diff. LVDS data

LVDS1_PANEL_EN	AD15	GPIO3_IO25	O	IPD	3,3V	LVDS panel power enable
LVDS1_BL_EN	AD13	GPIO3_IO23	O	IPD	3,3V	LVDS backlight power enable
LVDS1_BL_CTRL	AF14	GPIO1_IO01	O	IPU	3,3V	LVDS backlight brightness control (PWM01)
LVDS 2						
LVDS2_CLK_P	-	-	O	-	1,8V	P signal of diff. LVDS clock
LVDS2_CLK_N	-	-	O	-	1,8V	N signal of diff. LVDS clock
LVDS2_TX0_P	-	-	O	-	1,8V	P signal of diff. LVDS data
LVDS2_TX0_N	-	-	O	-	1,8V	N signal of diff. LVDS data
LVDS2_TX1_P	-	-	O	-	1,8V	P signal of diff. LVDS data
LVDS2_TX1_N	-	-	O	-	1,8V	N signal of diff. LVDS data
LVDS2_TX2_P	-	-	O	-	1,8V	P signal of diff. LVDS data
LVDS2_TX2_N	-	-	O	-	1,8V	N signal of diff. LVDS data
LVDS2_TX3_P	-	-	O	-	1,8V	P signal of diff. LVDS data
LVDS2_TX3_N	-	-	O	-	1,8V	N signal of diff. LVDS data
MIPI CSI-2						
MIPI_CSI-2_D0_P	B14	MIPI_CSI_D0_P	I	-	1,8V	Video image input data
MIPI_CSI-2_D0_N	A14	MIPI_CSI_D0_N	I	-	1,8V	Video image input data
MIPI_CSI-2_D1_P	B15	MIPI_CSI_D1_P	I	-	1,8V	Video image input data
MIPI_CSI-2_D1_N	A15	MIPI_CSI_D1_N	I	-	1,8V	Video image input data
MIPI_CSI-2_D2_P	B17	MIPI_CSI_D2_P	I	-	1,8V	Video image input data
MIPI_CSI-2_D2_N	A17	MIPI_CSI_D2_N	I	-	1,8V	Video image input data
MIPI_CSI-2_D3_P	B18	MIPI_CSI_D3_P	I	-	1,8V	Video image input data
MIPI_CSI-2_D3_N	A18	MIPI_CSI_D3_N	I	-	1,8V	Video image input data
MIPI_CSI-2_CLK_P	B16	MIPI_CSI_CLK_P	I	-	1,8V	Video image input clock
MIPI_CSI-2_CLK_N	A16	MIPI_CSI_CLK_N	I	-	1,8V	Video image input clock
SD Card Interface 1						
SDC1_D0	AB23	GPIO2_IO15	I/O	IPD	3,3V	SDC data
SDC1_D1	AB24	GPIO2_IO16	I/O	IPD	3,3V	SDC data
SDC1_D2	V24	GPIO2_IO17	I/O	IPD	3,3V	SDC data
SDC1_D3	V23	GPIO2_IO18	I/O	IPD	3,3V	SDC data
SDC1_CMD	W24	GPIO2_IO14	I/O	IPD	3,3V	CMD signal

SDC1_CLK	W23	GPIO2_IO13	O	IPD	3,3V	SDC Clock output
SDC1_CD#	AA26	GPIO2_IO12	I	IPD	3,3V	Card detect input
SDC1_WP	AA27	GPIO2_IO20	I	IPD	3,3V	Write protect input
QSPI						
SPI1_SCK	K27	GPIO3_IO05	O	IPD	3,3V	Clock output
SPI1_CS0#	M27	GPIO3_IO03	O	IPD	3,3V	Slave select output
SPI1_MOSI/D0	M26	GPIO3_IO10	I/O	IPD	3,3V	Data Line
SPI1_MISO/D1	L26	GPIO3_IO11	I/O	IPD	3,3V	Data Line
SPI1_CS1#/D2	K26	GPIO3_IO12	I/O	IPD	3,3V	Data Line
SPI1_D3	N26	GPIO3_IO13	I/O	IPD	3,3V	Data Line
SPI						
SPI2_SS0#	B6	GPIO5_IO09	O	IPD	3,3V	Slave select output
SPI2_SS1#	A6	GPIO5_IO13	O	IPD	3,3V	Slave select output
SPI2_SCK	D6	GPIO5_IO06	O	IPD	3,3V	Clock output
SPI2_MISO	A7	GPIO5_IO08	I	IPD	3,3V	Input data from slave
SPI2_MOSI	B7	GPIO5_IO07	O	IPD	3,3V	Output data to slave
I2C						
I2C1_SCL	E9	GPIO5_IO14	I/O	IPD	3,3V	I ² C clock signal
I2C1_SDA	F9	GPIO5_IO15	I/O (OD)	IPD	3,3V	I ² C data signal
I2C2_SCL	D10	GPIO5_IO16	I/O	IPD	3,3V	I ² C clock signal
I2C2_SDA	D9	GPIO5_IO17	I/O (OD)	IPD	3,3V	I ² C data signal
Audio I2S						
I2S_RXD	AC24	GPIO4_IO23	I	IPD	3,3V	Receive data
I2S_TXD	AC22	GPIO4_IO26	O	IPD	3,3V	Transmit data
I2S_TXFS	AD23	GPIO4_IO24	O	IPD	3,3V	Transmit frame select
I2S_TXC	AD22	GPIO4_IO25	O	IPD	3,3V	Transmit bit clock
I2S_RXFS	AC19	GPIO4_IO21	I	IPD	3,3V	Receive frame select
I2S_RXC	AB22	GPIO4_IO22	I	IPD	3,3V	Receive bit clock
I2S_MCLK	AD19	GPIO4_IO27	O	IPD	3,3V	Masterclock

Audio SPDIF						
SPDIF_IN	AG9	GPIO5_IO04	I	IPD	3,3V	SPDIF sound serial input data
SPDIF_OUT	AF9	GPIO5_IO03	O	IPD	3,3V	SPDIF Sound serial output data
General Purpose I/O						
GPIO1	AB19	GPIO4_IO10	I/O	IPD	3,3V	digital input / output
GPIO2	AD6	GPIO5_IO02	I/O	IPD	3,3V	digital input / output / PWM
GPIO3	P26	GPIO3_IO16	I/O	IPD	3,3V	digital input / output
GPIO4	R26	GPIO3_IO17	I/O	IPD	3,3V	digital input / output
GPIO5	AF6	GPIO5_IO01	I/O	IPD	3,3V	digital input / output
GPIO6	AG6	GPIO5_IO00	I/O	IPD	3,3V	digital input / output
GPIO7	AC6	GPIO4_IO31	I/O	IPD	3,3V	digital input / output
GPIO8	AG8	GPIO4_IO28	I/O	IPD	3,3V	digital input / output
Manufacturing						
JTAG_TCK	F26	JTAG_TCK	I	IPU	3,3V	JTAG clock input
JTAG_TMS	F27	JTAG_TMS	I	IPU	3,3V	JTAG mode select input
JTAG_TRST#	C27	JTAG_TRST_B	I	IPU	3,3V	JTAG reset input
JTAG_TDI	E27	JTAG_TDI	I	IPU	3,3V	JTAG Data input
JTAG_TDO	E26	JTAG_TDO	O	IPU	3,3V	JTAG Data output
JTAG_RTCK	-	-	-	-	3,3V	JTAG return TCK shorted with JTAG_TCK
JTAG_MOD	D27	JTAG_MOD	I	IPD	3,3V	Mode selection JTAG/Boundary Scan
JTAG_RESET#	-	-	I	IPU	3,3V	JTAG reset asserts POR#
JTAG_VCC	-	-	I	-	3,3V	VCC reference
BOOT_MODE_1	G26	BOOT_MODE0	I	IPD	3,3V	Boot Mode selection
BOOT_MODE_2	G27	BOOT_MODE1	I	IPD	3,3V	Boot Mode selection
BOOT_MODE_3	-	-	-	-	-	Not connected
Miscellaneous						
IRQ_1	AC18	GPIO4_IO11	I	IPD	3,3V	Interrupt input
IRQ_2	AD18	GPIO3_IO21	I	IPD	3,3V	Interrupt input
IRQ_3	AF12	GPIO1_IO05	I	IPU	3,3V	Interrupt input
IRQ_TOUCH1#	AF16	GPIO4_IO01	I	IPD	3,3V	Interrupt input for touch controller
IRQ_TOUCH2#	AG16	GPIO4_IO00	I	IPD	3,3V	Interrupt input for touch controller

POWERFAIL#	R27	GPIO3_IO18	I	IPD	3,3V	Power Fail interrupt
PWM_FAN	D13	GPIO5_IO20	O	IPD	3,3V	PWM signal for fan control
RESI#	-	-	I	IPU	3,3V	Reset input from carrier board
RESO#	-	-	O	-	3,3V	Reset output to carrier board
POWER_ON_BASE	-	-	O	-	3,3V	Power enable signal for the 3,3V baseboard supply
SUSPEND#	-	-	O	-	3,3V	Power switching signal for VCC_5V
ON_OFF#	-	-	I	-	3,3V	Power management signal
WAKEUP#	-	-	I	-	3,3V	Power management signal
TAMPER	-	-	-	-	-	Not connected
Power Supply						
BAT	-	-	-	-	3,3V	Battery backup input for RTC
VCC_5V	-	-	-	-	-	+ 5V supply
VCC_STANDBY	-	-	-	-	-	+ 5V standby supply
GND	-	-	-	-	-	Ground

8 Technical Characteristics

8.1 Electrical Specifications

Supply voltage	5V, +/-5%
Current consumption	up to 0.5A, depending on CPU and GPU load

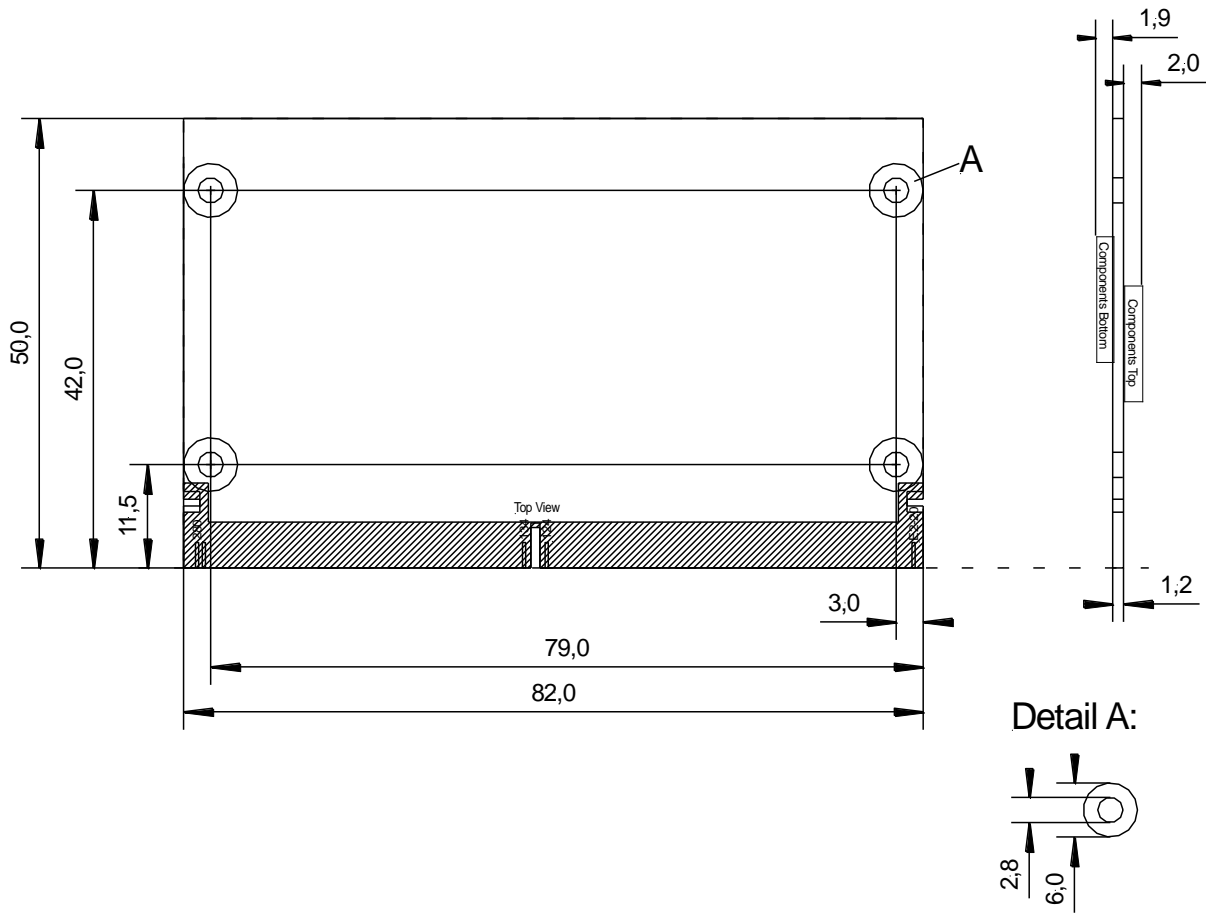
8.2 Environmental Specifications

Operating temperature	
Standard:	0 ... +70°C
Extended:	-40 ... +85°C
Storage temperature	-40 ... +125°C
Relative humidity	0 ... 95 %, non-condensing

8.3 Mechanical Specifications

Weight	approx. 16 g
Board	Glasepoxi FR-4, UL-listed, 8 layers
Dimensions	82,2 mm x 50.0 mm x 5.0 mm

9 Dimensional Drawing



10 References

- [1] i.MX 8M Mini Applications Processor Reference Manual
Reference Manual
IMX8MMRM Rev. 2, 08/2019
NXP - Freescale semiconductor
- [2] SN65DSI84 MIPI® DSI to FLATLINK™ LVDS Single Channel DSI to Dual-Link LVDS Bridge
Datasheet
SLLSEC2G Rev. G, 06/2018
- [3] i.MX 8M Mini Power Consumption Measurements
Datasheet
AN12410 Rev.0, 04/2019