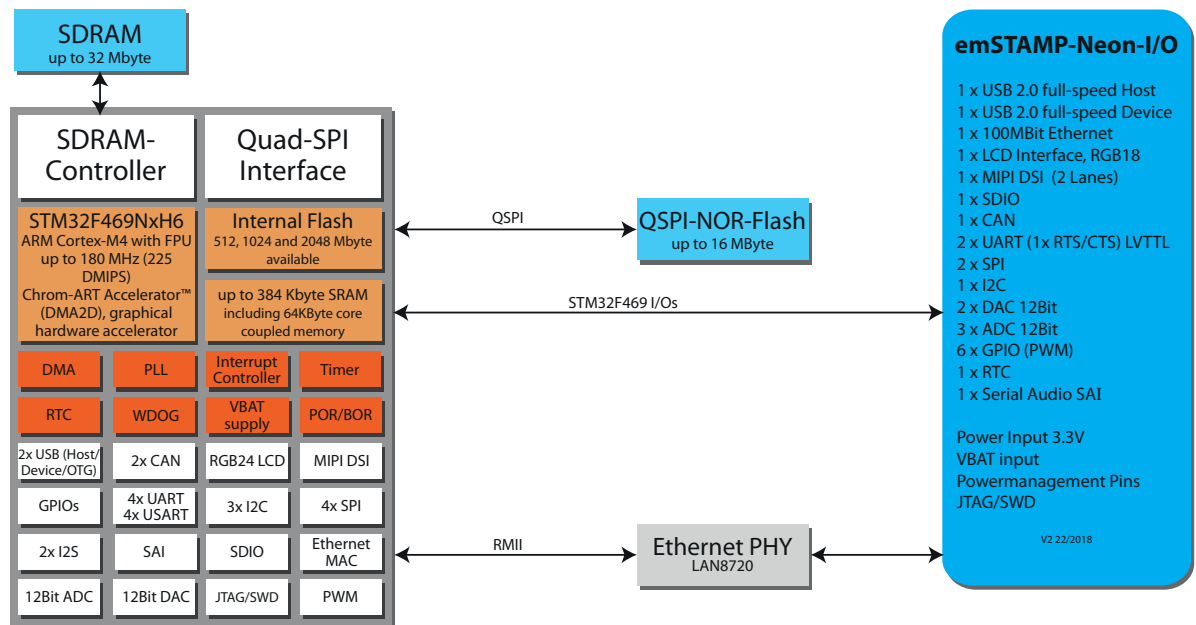


emSTAMP-Neon

with STMicroelectronics STM32F4 Cortex-M4 controller



Powered by **goal** Technology



Getting started with your embedded development!

Reduce your time to market with emtrion Developer Kits!

With an emtrion developer kit you can easily start your application development and reduce your time to market.

Emtrion's engineers are unique experts in hardware and software development. The embedded solutions are all from one source.

emSTAMP-Neon

	emSTAMP-Neon	SBC
Product	emSTAMP-Neon	emSBC-Neon
Operating system	FreeRTOS	
Linux	on request	
CANopen Master/Slave	yes	
EtherNet/IP	yes	
DLR („Device Level Ring“)	yes	
EtherCAT	coming soon	
PROFINET CCB RT1	yes	
Industrial Communication Middleware	GOAL by Port	
CPU manufacturer	STMicroelectronics	
CPU architecture	ARM Cortex-M4	
CPU performance	180 MHz - 225 DMIPS	
CPU	STM32F469	
Graphics	Chrom-Art Accelerator (DMA 2D)	
RAM	up to external 32 MByte SDRAM, internal 384 KByte	
Flash	up to 2 MByte internal Flash, QSPI 16 MByte external	
Ethernet	1 x 100 Base-TX	
UART	2 x LVTTTL	
USB Host	2.0 full speed	
CAN	1 x LVTTTL	1 x with transceiver
I ² C	1 x	
SAI Audio	1 x	
SPI	2 x	
MMC/SDC	1 x MMC/SD (SDIO)	1 x micro SD
RTC	yes	1 x battery holder with CR1632
LCD DSI	2 data lanes 24-bit RGB	-
LCD	RGB 18-bit	
Input (ADC)	3 x	
Output (DAC)	2 x	
Reset (In)	yes	
GPIO	6 x	
PWM	6 x complementary PWM outputs	
JTAG	yes	
Wake Up (IN)	yes	
PowerOut	-	+5V, +3V3
Size in mm	28 x 28 x 2,5	118 x 54 x 18
max. power consumption	0,36A @ 3V3	10W @ 7V - 12V
Operating temperature	0...+70°C, opt. -40...+85°C	
Customer specific solutions	yes	
easy layout integration	1,0 mm I/O-Pitch	-



Subject to change without notice.
Rev1: 03/2019

Getting started with your embedded development!

Reduce your time to market with emtrion Developer Kits!

With an emtrion developer kit you can easily start your application development and reduce your time to market.

Emtrion's engineers are unique experts in hardware and software development. The embedded solutions are all from one source.

