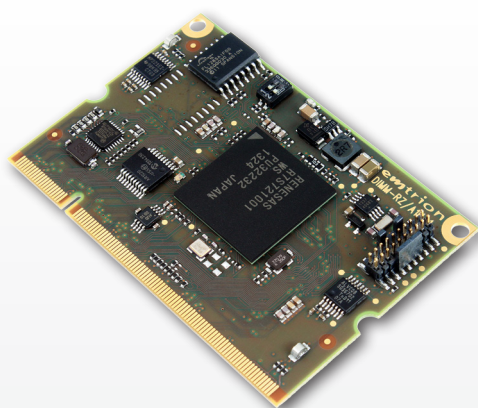
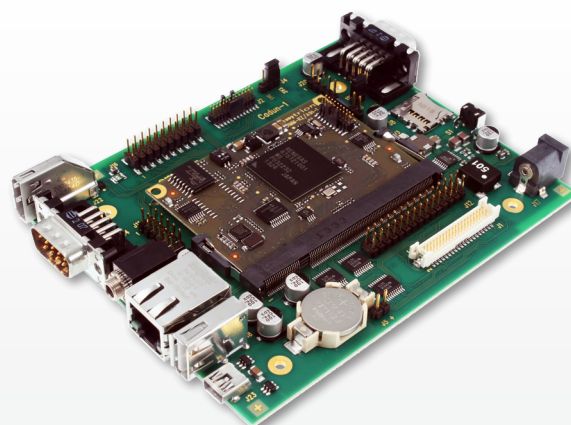


DIMM-RZ/A1H Processor module

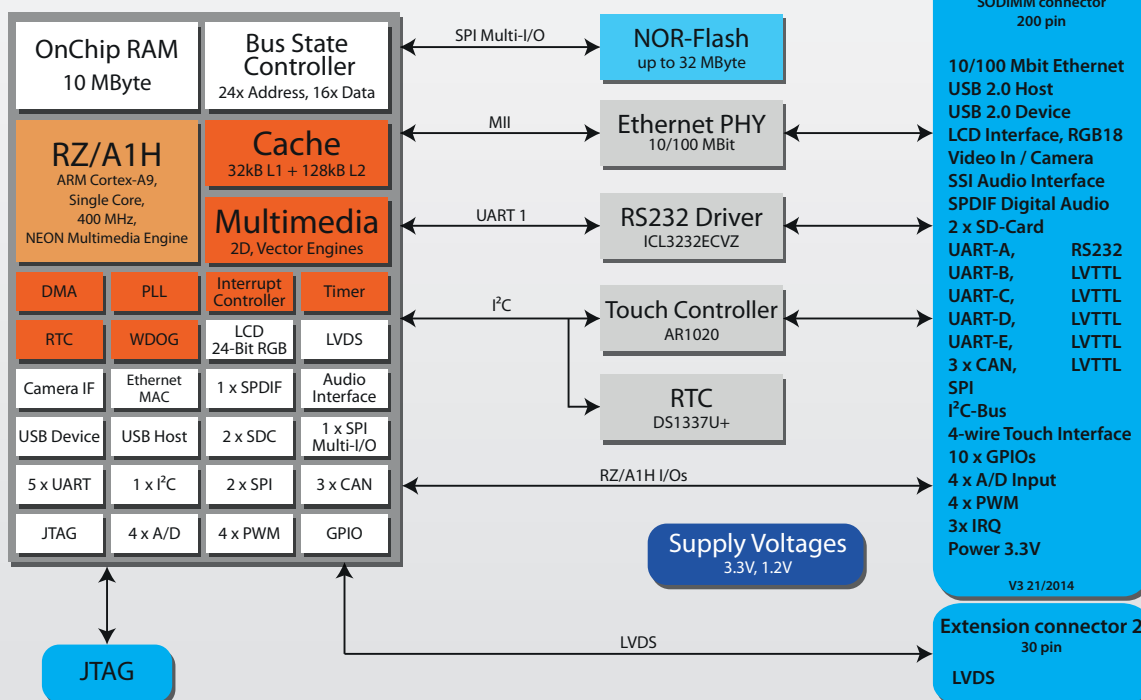
with Renesas Cortex-A9 processor



DIMM-RZ
Dimensions: 67.6 x 45 mm



SBC
Dimensions: 100 x 125 mm

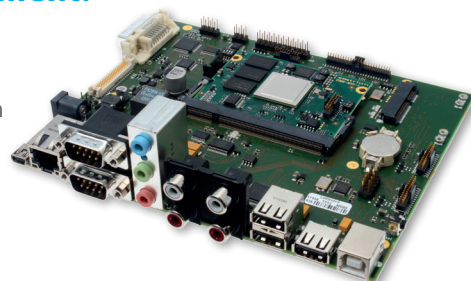


Getting started with your embedded development!



Reduce your time to market with emtrion Developer Kits!

With an emtrion developer kit you can easily start your application development and reduce your time to market.

Emtrion's engineers are unique experts in hardware and software development. The embedded solutions are all from one source.



DIMM-RZ/A1H as CPU-Module or Single Board Computer

	DIMM-RZ/A1H	SBC
		
Product	DIMM-RZ/A1H	DIMM-RZ/A1H-SBC
Operating system	Linux (w/o graphics), on request: FreeRTOS, ThreadX, embOS	
CPU manufacturer	Renesas RZ/A1H	
CPU architecture	ARM Cortex-A9	
CPU performance	400 MHz - 1.000 MIPS	
Co-Processor	ARM NEON™ Multimedia Engine	
2D (hardware accelerated)	openVG 1.1	
RAM	10 MByte OnChip RAM	
Flash	up to 32 MByte NOR-Flash	
Ethernet	10/100Base TX	
UART: RS232/LVTTL/IrDA	1 / 4 / 0	
USB Host	2.0 high speed	
USB Device	2.0 high speed	
Digital Audio	SPDIF IN/OUT	-
Analog Audio	SSI interface	Stereo out
LCD interface	up to WXGA (RGB or LVDS)	up to WXGA (RGB or LVDS)
Video In/Camera	interface for 1 x CMOS Cameras up to WXGA or PAL/NTSC CODEC	interface for 1 x CMOS Cameras up to WXGA or PAL/NTSC CODEC
CAN	3 x 2.0 A/B	1 x 2.0 A/B with transceiver, 2 x 2.0 A/B LVTTTL
I2C	1	
SPI	2	
Digital GPIO	min. 10	min. 24
MMC/SDC	2 x SDC (SDIO)	1 x micro SD
Touch interface	4-wire resistive, optional capacitive	
RTC (battery buffered)	yes	1x battery holder with CR1632
Size in mm	67.6 x 45 x 10	125 x 100 x 18
max. power consumption	3,3V @ 400mA max.	3,3 V @ 450mA max.
Operating temperature	0...+70°C, opt. -40...+85°C	0...+70°C, opt. -25...+85°C
Interface to carrier board	SODIMM connector (200 pos., 2.5V keying), processor bus optional	
Carrier boards available	yes	-
Developer kits available	yes	yes
Custom specific solutions	yes	yes

Subject to change without notice.
Rev5: 03/2019



emtrion GmbH
Alter Schlachthof 45
D-76131 Karlsruhe
Tel. +49 (0) 721 62725-0
Fax +49 (0) 721 62725-19
E-Mail sales@emtrion.com

Visit us online at:
www.emtrion.com