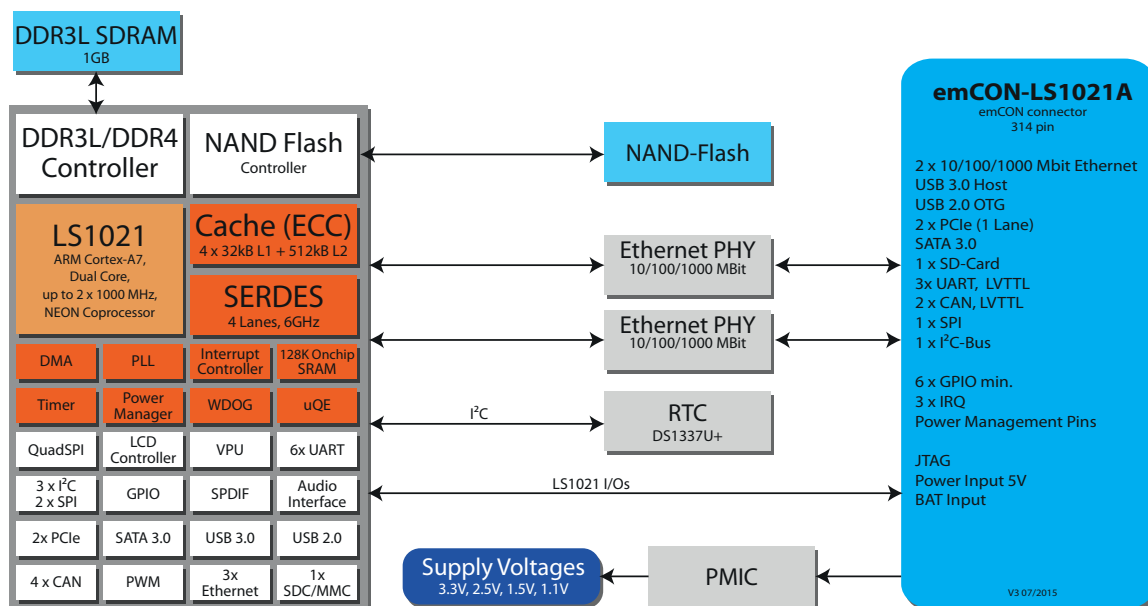


## emCON-LS1021A Processor module

# COMING SOON



### Getting started with your embedded development!

#### Reduce your time to market with emtrion Developer Kits!

With an emtrion developer kit you can easily start your application development and reduce your time to market.

Emtrion's engineers are unique experts in hardware and software development. The embedded solutions are all from one source.

## emCON-LS1021A as CPU-Module or Single Board Computer

	emCON-LS1021A	SBC
	<b>COMING SOON</b>	<b>COMING SOON</b>
Product	emCON-LS1021A	emCON-LS1021A-SBC
Windows		-
Linux		Linux
QNX		QNX on request
Android		-
CPU manufacturer		NXP LS1021A
CPU architecture		ARM Cortex-A7 (dual core)
CPU performance		2x 1 GHz - up to 3.700 DMIPS
Co-Processor		2x ARM NEON™
RAM		1GB DDR3L-SDRAM
Flash		up to 8 GB NAND Flash
Ethernet		2x 10/100/1000 Base TX, optional 3rd interface via SERDES IF
UART: RS232/LVTTL/IrDA	0 / 3 / 0	1 / 2 / 0
USB Host		3.0 high speed
USB Device		2.0 high speed (OTG)
Serial-ATA		SATA II (3 Gbps)
PCIe	1x (1 Lane), 1x (2 Lane)	1x miniPCIe
CAN	2 x 2.0 A/B	2 x 2.0 A/B (1x LVTTTL, 1x with transceiver)
I2C	1	1
SPI	1	1
Digital GPIO	6	20
MMC/SDC	1 x MMC/SD (SDIO)	1 x micro SD
RTC (battery buffered)	yes	1x battery holder with CR1632
Size in mm	82 x 45 x 10	180 x 100 x 18
max. power consumption	5V @ 2.6A max.	5 V @ 2.8A max.
Operating temperature	0...+70°C, opt. -40...+85°C	0...+70°C, opt. -25...+85°C
Interface to carrier board	emCON connector (314 pos.)	
Carrier boards available	yes	-
Developer kits available	yes	yes
Custom specific solutions	yes	yes

Subject to change without notice.  
Rev3: 03/2019

### Getting started with your embedded development!

#### Reduce your time to market with emtrion Developer Kits!

With an emtrion developer kit you can easily start your application development and reduce your time to market.



Emtrion's engineers are unique experts in hardware and software development. The embedded solutions are all from one source.