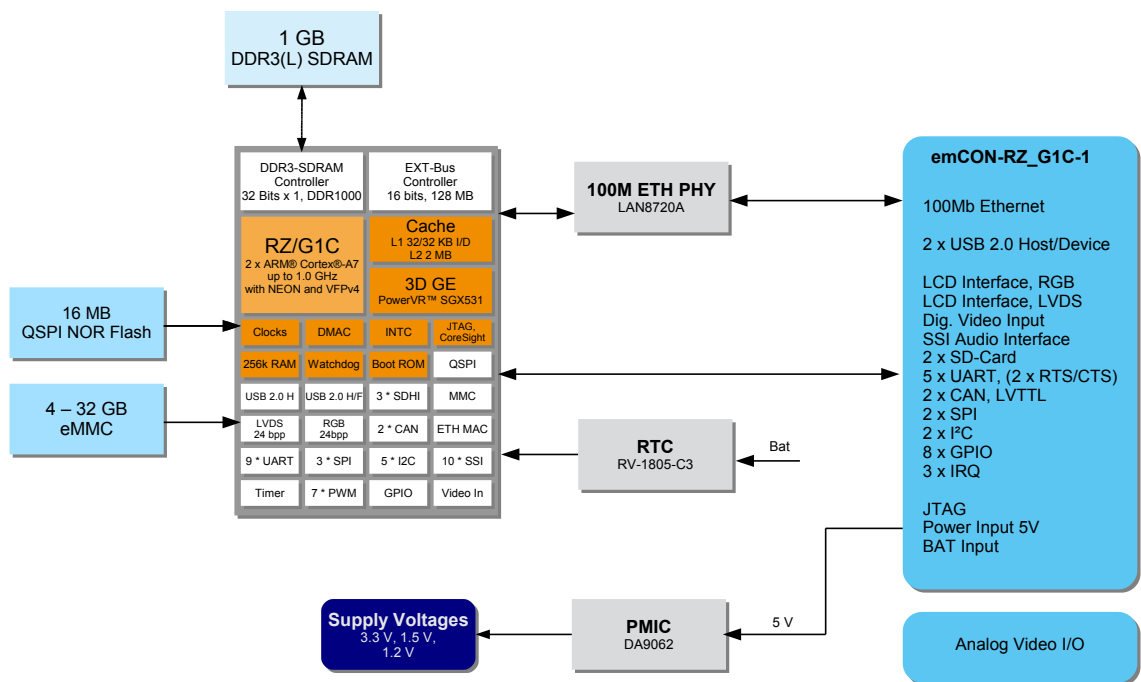
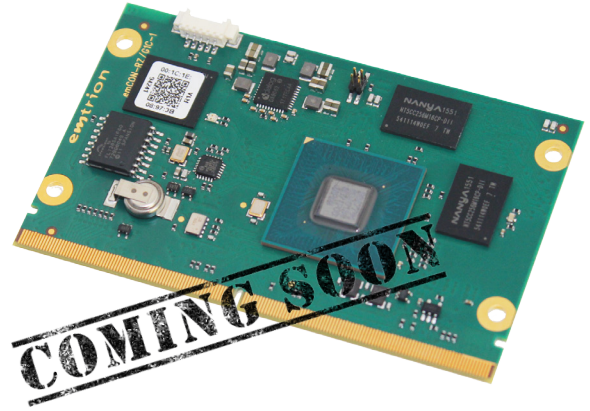


emCON-RZ/G1C Processor module



Getting started with your embedded development!

Reduce your time to market with emtrion Developer Kits!

With an emtrion developer kit you can easily start your application development and reduce your time to market.

Emtrion's engineers are unique experts in hardware and software development. The embedded solutions are all from one source.

emCON-RZ/G1C as CPU-Module or Single Board Computer

	emCON-RZ/G1C	SBC
		
Product	emCON-RZ/G1C	emCON-RZ/G1C-SBC
Windows	on request	
Linux	yes	
QNX	on request	
Android	on request	
CPU manufacturer	Renesas RZ/G1C	
CPU architecture	Dual ARM® Cortex®-A7	
CPU performance	1 GHz	
Co-processor	NEON™/VFPv4	
2D (hardware accelerated)	Video image processing function (image extraction, rotation, filtering)	
3D (hardware accelerated)	PowerVR SGX531 @ 260MHz, USSE	
RAM	1GB DDR3-SDRAM, DDR1333	
Flash	16MB QSPI NOR Flash, 4GB up to 32GB eMMC	
Ethernet	10/100 BASE-T	-
UART LVTTTL	5	1 x RS232, 2 x LVTTTL
USB Host	1 x USB 2.0	3 x 2.0 High speed via USB Hub
USB Device	1 x USB 2.0	
Digital Audio	1 x SSI	1x Stereo out
LCD Interface	1x RGB 18bpp, 1 x LVDS 24bpp	
Video In/Camera	1 x YCbCr422 CMOS, 1 x PAL/NTSC composite video	
CAN	2 x 2.0 A/B	2 x 2.0 A/B (LVTTTL)
I2C	2	1
SPI	2	
Digital GPIO	8	
MMC/SDC	2 x SDC	1x micro SD
RTC (battery buffered)	yes	1x battery holder with CR1632
Size in mm	82 x 50 x 10	150 x 100 x 18
typ. power consumption	5V @ 1.2A max.	5 V @ 2.0A max.
Operating temperature	0...+70°C, opt. -25...+85°C	
Interface to carrier board	emCON connector (314 pos.)	
Carrier boards available	yes	-
Developer kits available	yes	yes
Custom specific solutions	yes	yes

Subject to change without notice.
Rev1:03/2019



emtrion GmbH
Alter Schlachthof 45
D-76131 Karlsruhe
Tel. +49 (0) 721 62725-0
Fax +49 (0) 721 62725-19
E-Mail sales@emtrion.com

Visit us online at:
www.emtrion.com