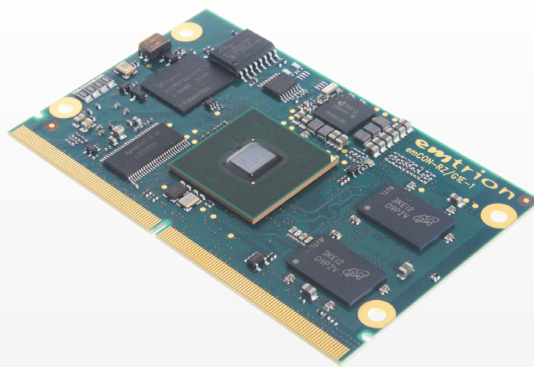
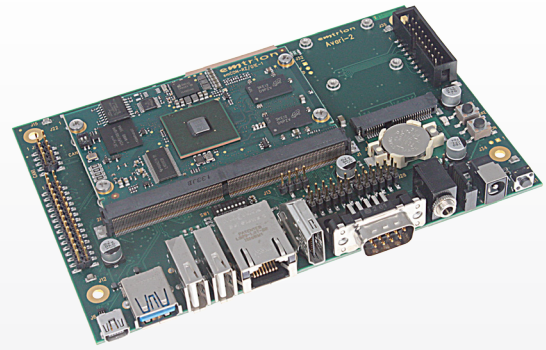


emCON-RZ/G1E Processor module

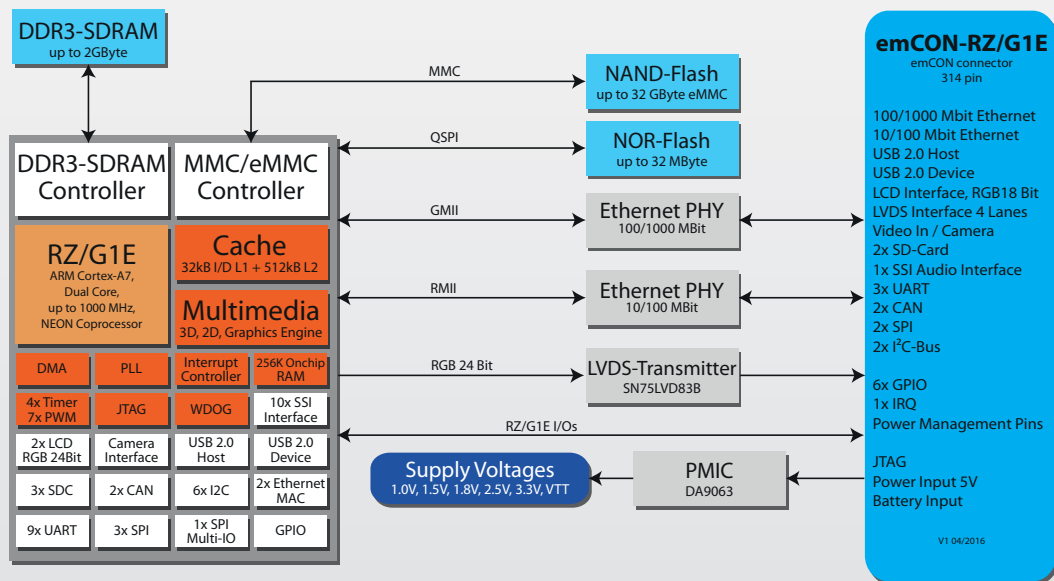
with Renesas dual core Cortex-A7 processor



emCON-RZ/G1E
Dimensions: 82 x 50 mm



SBC
Dimensions: 150 x 100 mm

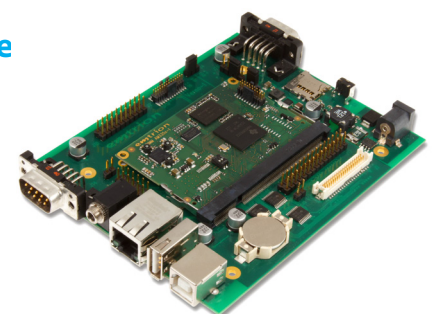


Getting started with your embedded developme


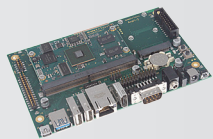
Reduce your time to market with emtrion Developer Kits!

With an emtrion developer kit you can easily start your application development and reduce your time to market.

Emtrion's engineers are unique experts in hardware and software development. The embedded solutions are all from one source.



emCON-RZ/G1E as CPU-Module or Single Board Computer

	DIMM-RZ/G1E	SBC
		
Product	emCON-RZ/G1E	emCON-RZ/G1E-SBC
Windows	WEC on request	
Linux	Linux	
QNX	QNX on request	
Android	Android® on request	
CPU manufacturer	Renesas RZ/G1E	
CPU architecture	ARM Cortex-A7 (dual core)	
CPU performance	2 x 1GHz - up to 3800MIPS	
Co-processor	NEON™/VFPv4	
2D (hardware accelerated)	Video image processing function (image extraction, rotation, filtering)	
3D (hardware accelerated)	SGX540 @260MHz Multi-codec module 1920 x 1080 @ 60 frames x 1 channel	
RAM	1GByte up to 2GByte DDR3-SDRAM	
Flash	4GByte up to 32 GByte eMMC	
Ethernet	1000Base-T /100Base-T	
	100Base-T/10Base-T	-
UART	3	1 x RS232, 2 x LVTTTL
USB Host	2.0 high speed	3 x 2.0 High speed via USB Hub
USB Device	2.0 high speed	
Digital Audio	1 x SSI interface	1x Stereo out
LCD Interface	2 Interfaces, up to Full-HD (1x RGB, 1x LVDS)	2 Interfaces, up to Full-HD (1x RGB, 1x LVDS)
Video In/Camera	YCbCr422 for 1 x CMOS camera	YCbCr422 for 1 x CMOS camera
CAN	2 x 2.0 A/B	2 x 2.0 A/B (LVTTTL)
I2C	2	1
SPI	2	
Digital GPIO	6	
MMC/SDC	2 x SDC	1x micro SD
RTC (battery buffered)	yes	1x battery holder with CR1632
Size in mm	82 x 50 x 10	150 x 100 x 18
max. power consumption	5V @ 1.2A max.	5 V @ 2.0A max.
Operating temperature	0...+70°C, opt. -25...+85°C	
Interface to carrier board	emCON connector (314 pos.)	
Carrier boards available	yes	-
Developer kits available	yes	yes
Custom specific solutions	yes	yes

Subject to change without notice.
Rev1: 03/2019



emtrion GmbH
Alter Schlachthof 45
D-76131 Karlsruhe
Tel. +49 (0) 721 62725-0
Fax +49 (0) 721 62725-19
E-Mail sales@emtrion.com

Visit us online at:
www.emtrion.com