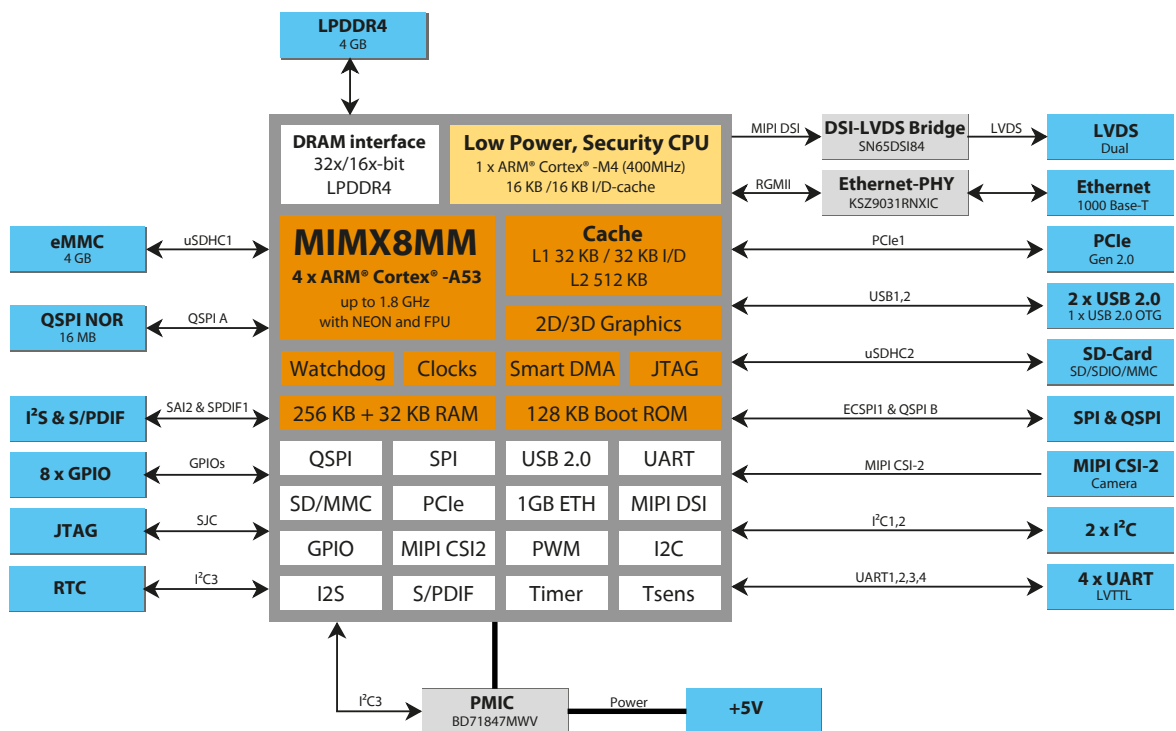
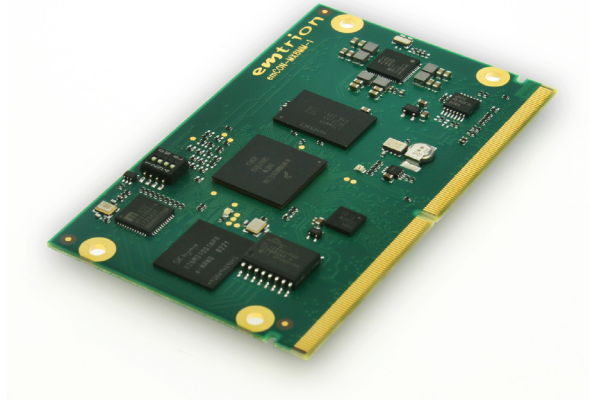


emCON-MX8M Mini Processor module

with ARM™ Cortex®-A53, ARM™ Cortex®-M4F




Getting started with your embedded development!

Reduce your time to market with emtrion Developer Kits!

With an emtrion developer kit you can easily start your application development and reduce your time to market.

Emtrion's engineers are unique experts in hardware and software development. The embedded solutions are all from one source.

emCON-MX8M Mini as CPU-Module

	emCON-MX8M Mini
	
Product	emCON-MX8M Mini
Linux	Linux Kernel 4.14.98
Android	Android Pie 9.0.0
QNX	on request
CPU manufacturer	NXP
CPU architecture	ARM™ Cortex®-A53 (quad core), ARM™ Cortex®-M4F
CPU performance	up to 1,8 GHz (A53) + 400 MHz (M4)
Co Processor	ARM Neon™
2D (hardware accelerated)	GC 320
3D (hardware accelerated)	GC NanoUltra
RAM	up to 4 GB LPDDR4 SDRAM
QSPI NOR-Flash	16 MB
eMMC NAND-Flash	up to 64 GB
Wi-Fi	-
Bluetooth	-
Ethernet	1000Base-T / 100Base-T / 10Base-T
PCIe	1 x 1 lane
UART	4 (1 x RTS/CTS)
USB Host	1 x USB 2.0 high speed
USB Device	1 x USB 2.0 OTG high speed
Digital Audio	1 x SAI, 1 x S/PDIF
Analog Audio	-
LCD interface	1 x LVDS, 1080p60 (Full-HD)
Video In/Camera	1 x MIPI CSI-2
HDMI	-
I²C	2
SPI	2
GPIO	8 x (1x PWM)
SDIO/MMC/SD	1 x 4 bit
RTC (battery buffered)	yes
JTAG	yes
Size in mm	82 x 50 x 10
max. power consumption	t.b.d.
Operating temperature	0...+70°C, opt. -25...+85°C
Interface to carrier board	emCON connector (314 pos.)
Carrier boards available	yes
Developer kits available	yes
Custom specific solutions	yes

Subject to change without notice.
Rev1: 07/2019



emtrion GmbH
Alter Schlachthof 45
D-76131 Karlsruhe
Tel. +49 (0) 721 62725-0
Fax +49 (0) 721 62725-19
E-Mail sales@emtrion.com

Visit us online at:
www.emtrion.com