

Errata Verno-2

Rev	Date/Signature	Changes
1	24.08.2011/Mt	First Revision

1 Product affected

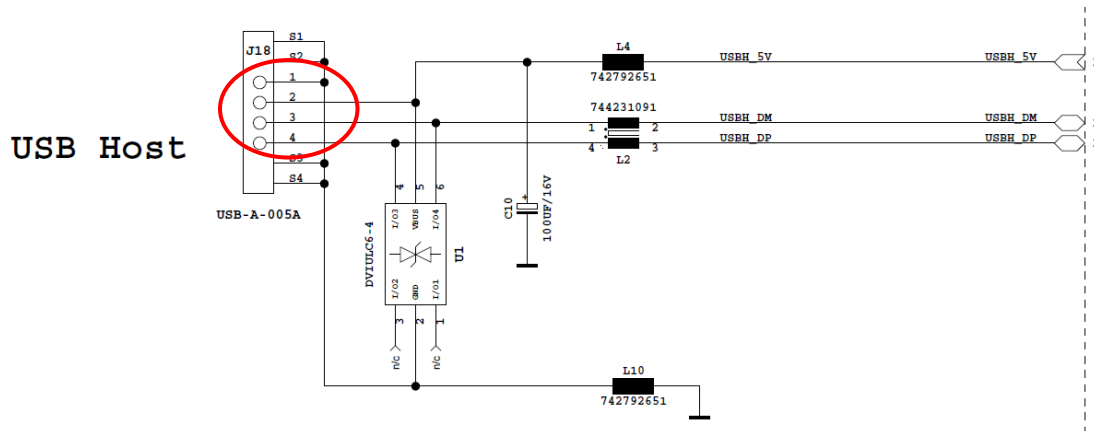
Product affected	Rev.
DIMM-EcoBase Verno	R2A

2 Errata 1 – USB Host

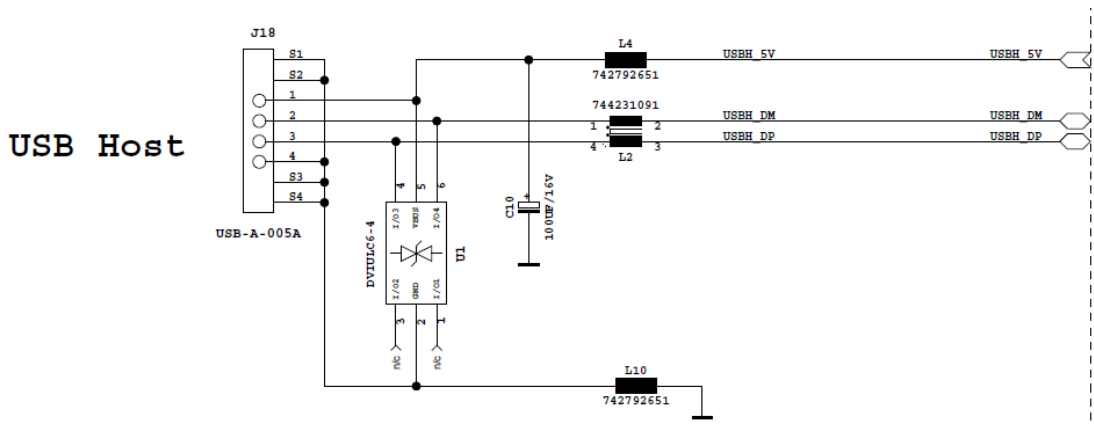
2.1 Description

The USB Host interface is not available on DIMM-EcoBase Verno R2A boards. The pin assignment of the connector J18 is not correct.

The following figure shows the actual (incorrect) pin assignment.



The following figure shows the correct pin assignment.



2.2 Projected Impact

The USB Host interface is not available on DIMM-EcoBase Verno R2A boards directly.

2.3 Workaround

Use the ADA-USB_Verno-2 adapter to connect your USB device. The adapter corrects the pin mismatch.

2.4 Proposed Solution

This issue will be fixed at DIMM-EcoBase Verno R3A boards.