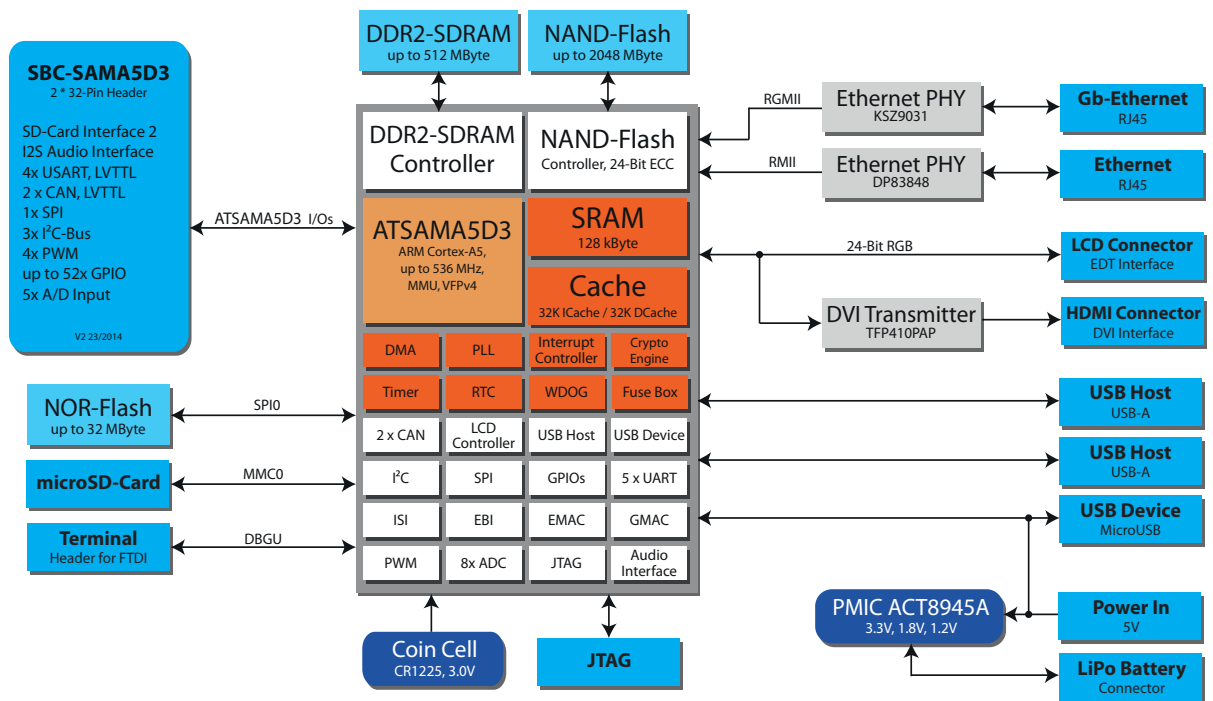
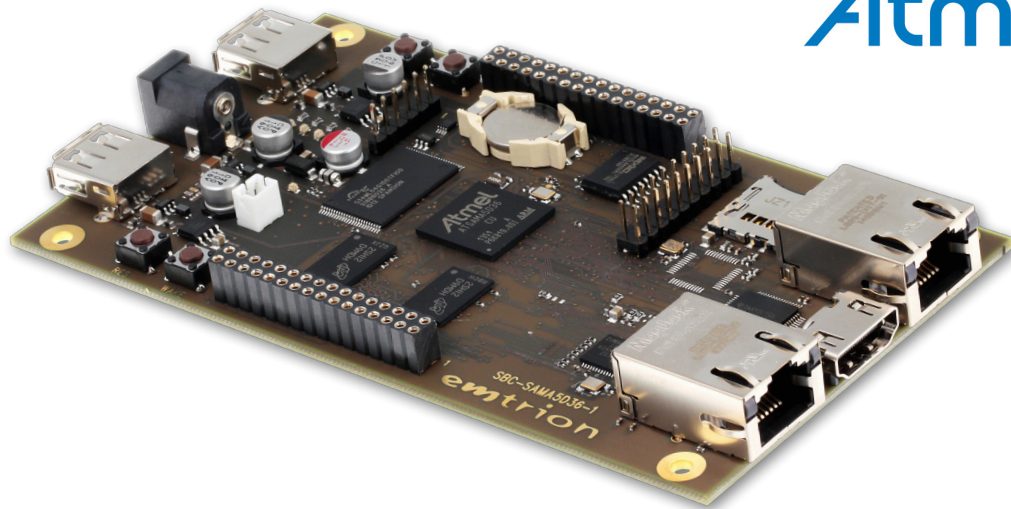


SBC-SAMA5D36

Single Board Computer

with Atmel Cortex-A5 processor

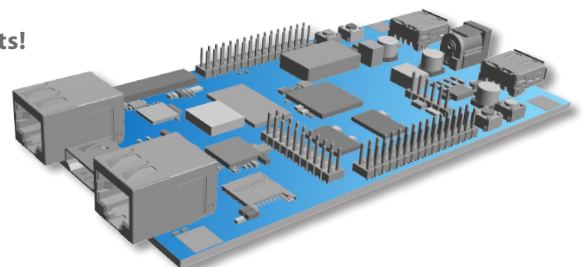


Getting started with your embedded development!

Reduce your time to market with emtrion Developer Kits!

We are unique experts in hardware and software development. Our embedded solutions are all from one source.

With an emtrion developer kit you can easily start your application development and reduce your time to market.



SBC-SAMA5D36 - Single Board Computer

SBC-SAMA5D36	
	
Operating system	Linux
CPU manufacturer	Atmel SAMA5D3
CPU architecture	ARM Cortex-A5
CPU performance	536 MHz - 850 DMIPS
Co-Processor	ARM Neon™, FPU
RAM	up to 512 MByte DDR2 SDRAM
Flash	up to 32 MByte NOR-Flash, up to 2048 MByte NAND-Flash
Ethernet	1x 10/100Base TX, 1x 10/100/1000Base TX both with RJ45 connector
UART: RS232/LVTTL/IrDA	0 / 5 / 4
USB Host	2x USB Host 2.0 high speed on USB-A connector
USB Device	1x USB Device 2.0 high speed on MicroUSB connector
Analog Audio	SSI interface
LCD interface	up to XGA RGB (EDT connector) and DVI (HDMI-connector)
Touch	4-wire resistive, optional capacitive
CAN	2 x 2.0 A/B (LVTTTL)
I2C	3
SPI	1 (+4 optional)
Digital GPIO	up to 52
MMC/SDC	1x microSD, 1x on Extension Header
PWM	2
Analog Input	5
User Buttons	2
User LEDs	4
RTC (battery buffered)	yes, with battery holder (CR1225)
Size in mm	74 x 135 x 15
Power Supply	5V via 2mm Power Jack / 5V via USB connector / Lithium Battery (charger onboard)
max. power consumption	5V @ 300 mA max.
Operating temperature	0...+70°C, opt. -40...+85°C
Developer kits available	yes
Custom specific solutions	yes

Subject to change without notice.
Rev2: 34/2014